

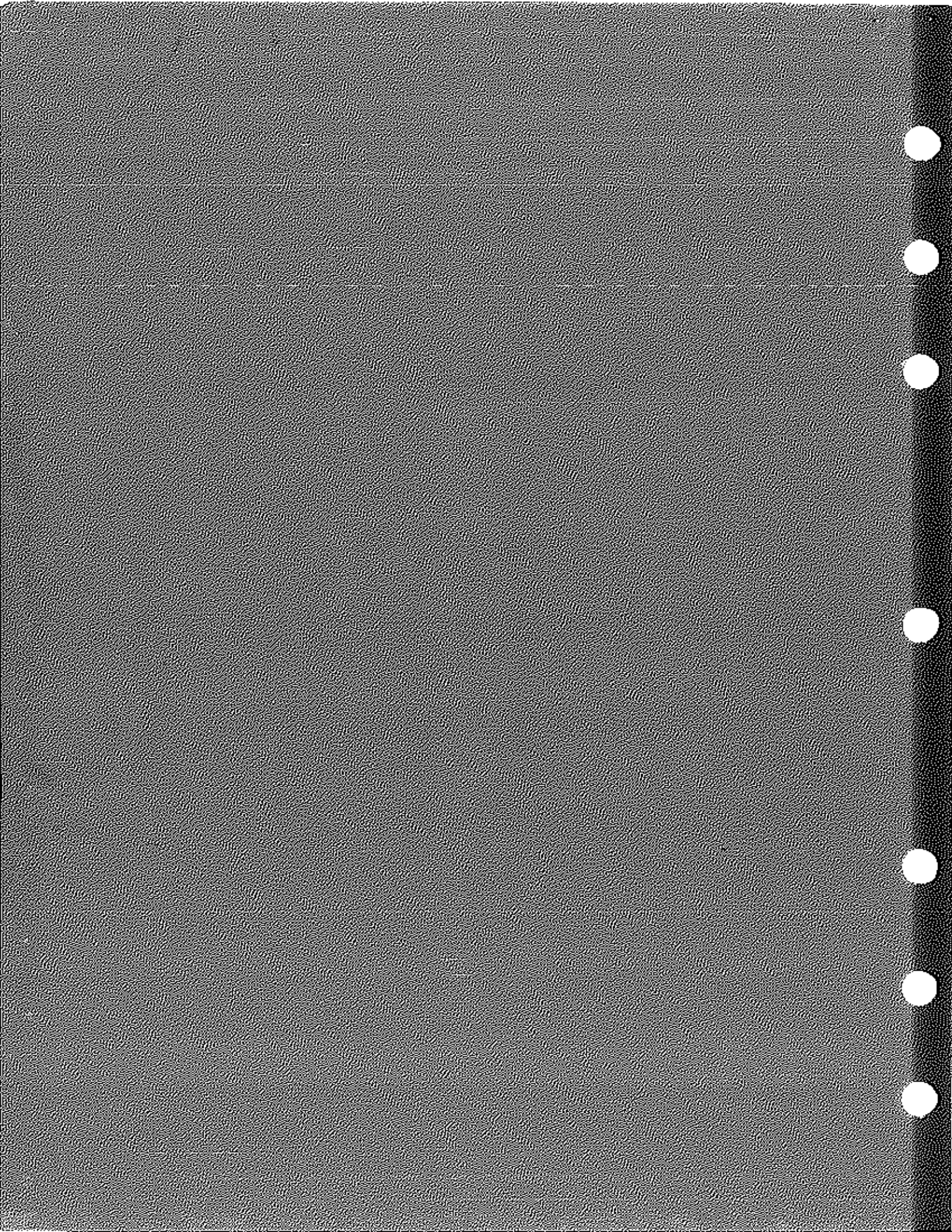


1972 SNOWMOBILE CHASSIS PARTS LIST

NITRO
RAILY



PRICE \$1.00



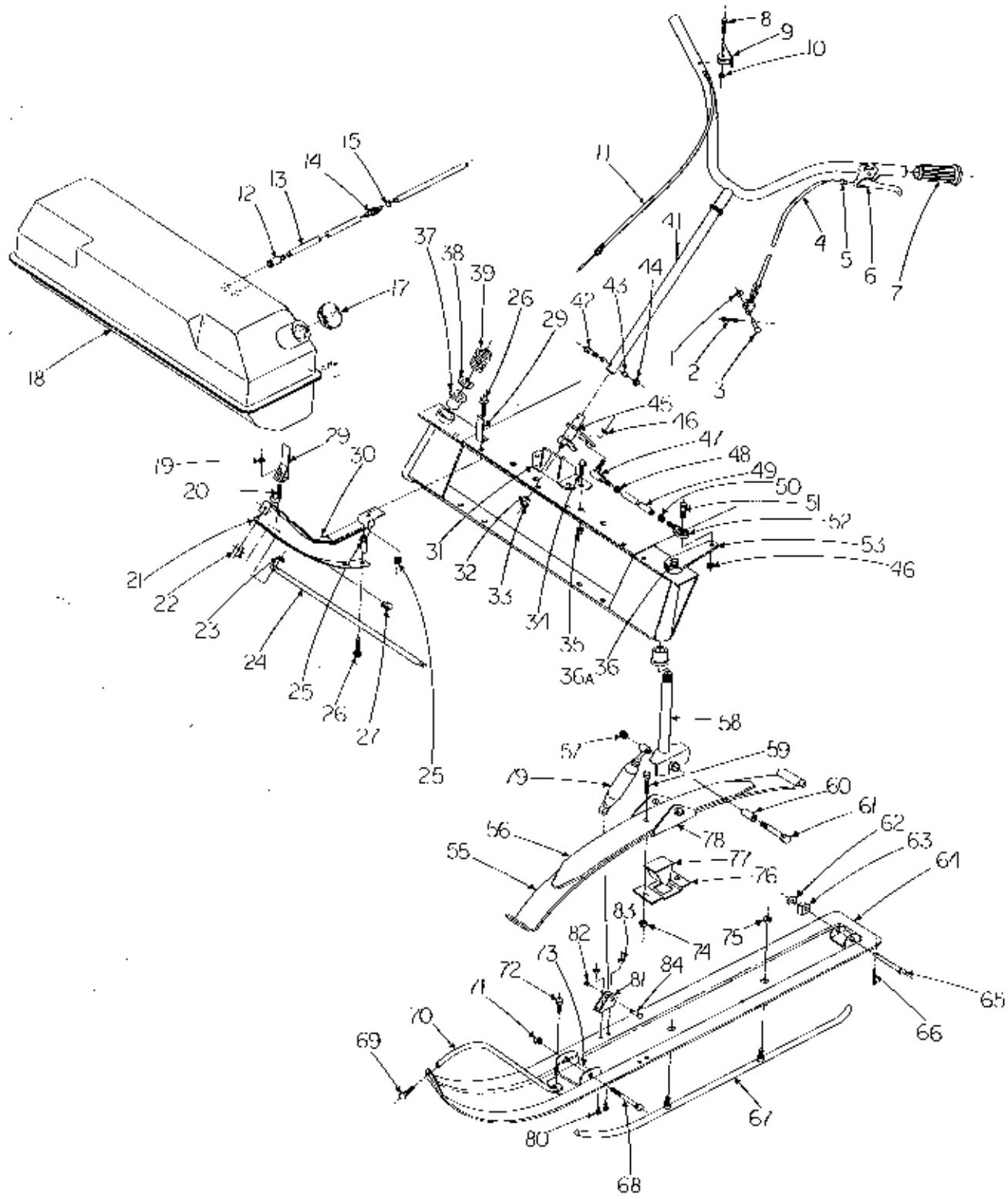
THE PARTS LISTED IN THIS CATALOG ARE CURRENT FOR 1972 NITRO & RALLY SNOWMOBILE MODELS. ALL ORDERS WILL BE PROCESSED AND FORWARDED THRU DISTRIBUTION CHANNELS. ALL ORDERS MUST GIVE PART NUMBER AND DESCRIPTION. THE SNOWMOBILE PARTS CATALOG IS INTENDED FOR DISTRIBUTOR AND DEALER USE ONLY. BEFORE PLACING YOUR ORDER CHECK CURRENT PRICE LIST FOR AVAILABILITY, MINIMUM QUANTITIES OR SUPERSEDEANCE OF PARTS.

Effective November, 1971

INDEX

	Page
Steering and Fuel Tank	2
Shroud and Seat	5
Slider Suspension	8
Chassis Group	11
Engine, Exhaust and Carburetor	13
Electrical Group	15
Torque Converter and Brake	17

STEERING & FUEL TANK

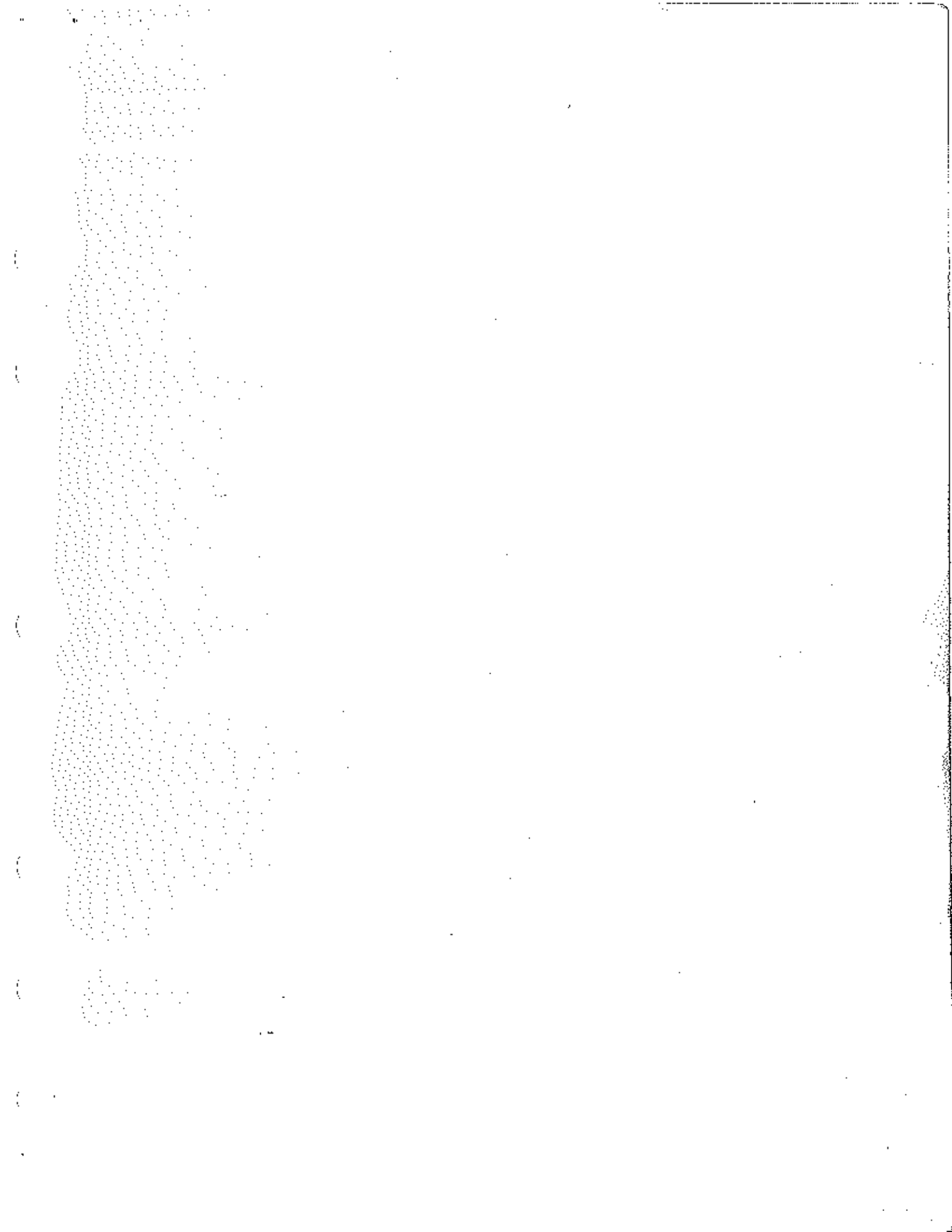


STEERING & FUEL TANK

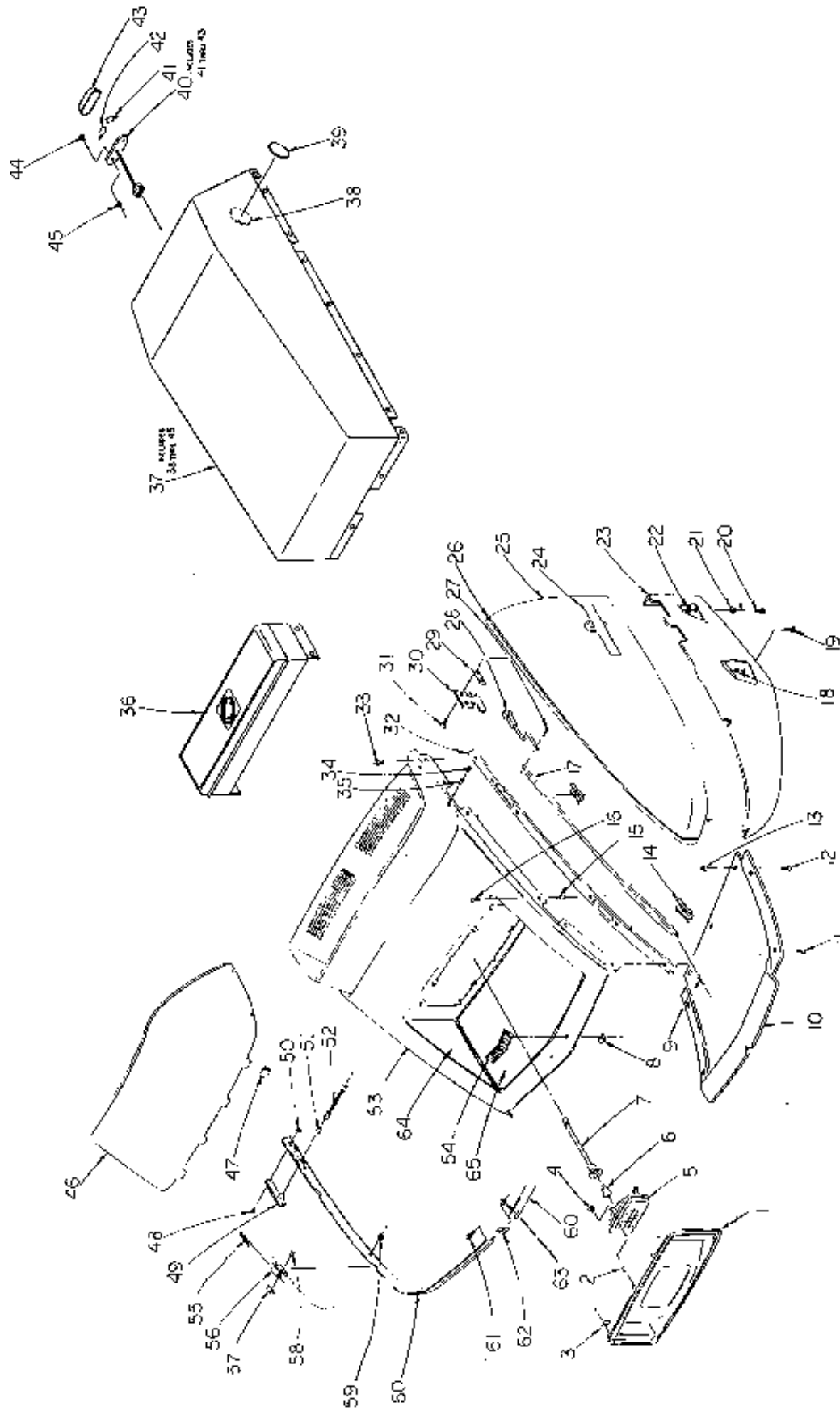
REF. NO.	PART NO.	DESCRIPTION	QUANTITY REQ'D.				
			NIT 295	NIT 340	NIT 400	NIT 440	HAL 40
1	14080	Flat Washer	1	1	1	1	1
2	14051	3/32 x 1/2 Cotter Pin	1	1	1	1	1
3	12404	Clevis Pin	1	1	1	1	1
4	30791	Brake Cable	1	1	1	1	1
5	14678	Brake Lever Ferrule	1	1	1	1	1
6	11873	Brake Lever	1	1	1	1	1
7	18443	Hand Grip	2	2	2	2	2
8	GM9416773	10-24 x 1-3/8 H.H.M.Screw	1	1	1	1	1
9	14671	Throttle Control Lever	1	1	1	1	1
10	14206	10-24 Conelok Nut	1	1	1	1	1
11	18944	Throttle Cable	1	1	1	1	1
12	14718	Pick-Up	1	1	1	1	1
13	16150	Fuel Line 12"	1	1	1	1	1
14	14719	Fuel Tank Line Connector	2	2	2	2	2
15	12324	Hose Clamp	6	6	6	6	6
17	11729	Fuel Tank Cap	1	1	1	1	1
18	18510	Fuel Tank	1	1	1	1	1
19	14027	1/4-28 Conelok Nut	2	2	2	2	2
20	18796	J-Bolt	2	2	2	2	2
21	18489	Tank Spt. Bracket, L.H.	1	1	1	1	1
	18490	Tank Spt. Bracket, R.H.	1	1	1	1	1
22	18787	1/4-20 Grip Nut	2	2	2	2	2
23	14035	5/16-18 F.W.L.N.	4	4	4	4	4
24	14509	Bumper Brace	1	1	1	1	
	14508	Bumper Brace					1
25	14036	5/16-18 F.W.L. Nut	4	4	4	4	4
26	14141	5/16-18 x 3/4 H.F.W.L. Screw	4	4	4	4	4
27	11858	1/4-20 Speed Nut	4	4	4	4	4
29	14667	Tank Mounting Strap	2	2	2	2	2
30	19731	Tank Mounting Strip	2	2	2	2	2
31	19090	Lower Steer. Support	1	1	1	1	1
32	14041	Flat Washer	1	1	1	1	1
33	14031	3/8-16 Conelok Nut	1	1	1	1	1
34	14012	5/16-18 x 5/8 H.F.W.L. Screw	4	4	4	4	4
35	14035	5/16-18 F.W.L. Nut	4	4	4	4	4
36	14076	7/16 Lock Washer	2	2	2	2	2
36A	14183	7/16-20 x 1-1/4 H.H.C. Screw	2	2	2	2	2
37	18786	Spindle Bushing	4	4	4	4	4
38	13405	Flat Washer	2	2	2	2	2
39	13323	Spindle Spring	2	2	2	2	2
41	18485	Handle Bar	1	1	1	1	1
42	15082	5/16-24 x 1-3/4 H.H.C. Screw	1	1	1	1	1
43	15081	Steer. Column Wedge	2	2	2	2	2
44	14055	5/16-24 Conelok Nut	1	1	1	1	1
45	18912	Steer. Column End	1	1	1	1	1
46	14030	3/8-24 Conelok Nut	4	4	4	4	4
47	19316	Ball Joint	2	2	2	2	2
48	14092	3/8-24 Hex Jam Nut, R.H.	2	2	2	2	2
49	18848	Tie Rod	2	2	2	2	
	18847	Tie Rod					2
50	15789	3/8-24 Hex Jam Nut, L.H.	2	2	2	2	2
51	GM454923	3/8-24 x 1-3/8 H.H.C. Screw	2	2	2	2	2
52	18849	Rod End	2	2	2	2	2

STEERING & FUEL TANK

REF. NO.	PART NO.	DESCRIPTION	QUANTITY REQ'D.				
			NIT 295	NIT 340	NIT 400	NIT 440	HAL 40
53	13430	Spindle Arm	2	2	2	2	2
55	18808	Bottom Leaf Spring	2	2	2	2	2
56	18807	Top Leaf Spring	2	2	2	2	2
57	14058	7/16-20 Conelok Nut	2	2	2	2	2
58	14285	Spindle, L.H.	1	1	1	1	1
	14284	Spindle, R.H.	1	1	1	1	1
59	14600	3/8-24 x 1-1/4 H.H.C. Screw	4	4	4	4	4
60	14345	Ski Bushing	2	2	2	2	2
61	GM187612	7/16-20 x 4-1/2 H.H.C. Screw	2	2	2	2	2
	14434	7/16-20 x 3-1/4 H.H.C. Screw					2
62	14439	Flat Washer	2	2	2	2	2
63	14438	Bumper	2	2	2	2	2
64	13464	Ski	2	2	2	2	2
65	14437	Clevis Pin	2	2	2	2	2
66	14088	1/8 x 5/8 Cotter Pin	2	2	2	2	2
67	14419	Ski Wear Bar	2	2	2	2	2
68	14424	3/8-24 x 3 H.H.C. Screw	2	2	2	2	2
69	14354	3/8-24 x 1/2 H.F.W.L. Screw	2	2	2	2	2
70	13458	Ski Hand Grip	2	2	2	2	2
71	14030	3/8-24 Conelok Nut	2	2	2	2	2
72	14012	5/16-18 x 5/8 H.F.W.L. Screw	2	2	2	2	2
73	13446	Spring Wear Plate	2	2	2	2	2
74	14426	3/8-24 Esna Lock Nut	4	4	4	4	4
75	14035	5/16-18 F.W.L. Nut	4	4	4	4	4
76	14554	Ski Stop Bracket	2	2	2	2	2
77	14553	Ski Stop	2	2	2	2	2
78	18924	Ski Spring Bracket	2	2	2	2	2
79	16296	Shock Absorber	2	2	2	2	
80	13941	1/4-28 x 1/2 F.W.L. Screw	4	4	4	4	
81	16221	Mount, Bracket	2	2	2	2	
82	14030	3/8-24 Conelok Nut	2	2	2	2	
83	13615	1/4-28 F.W.L. Nut	4	4	4	4	
84	14007	3/8-24 x 1-1/2 H.H.C. Screw	2	2	2	2	



SHROUD & SEAT

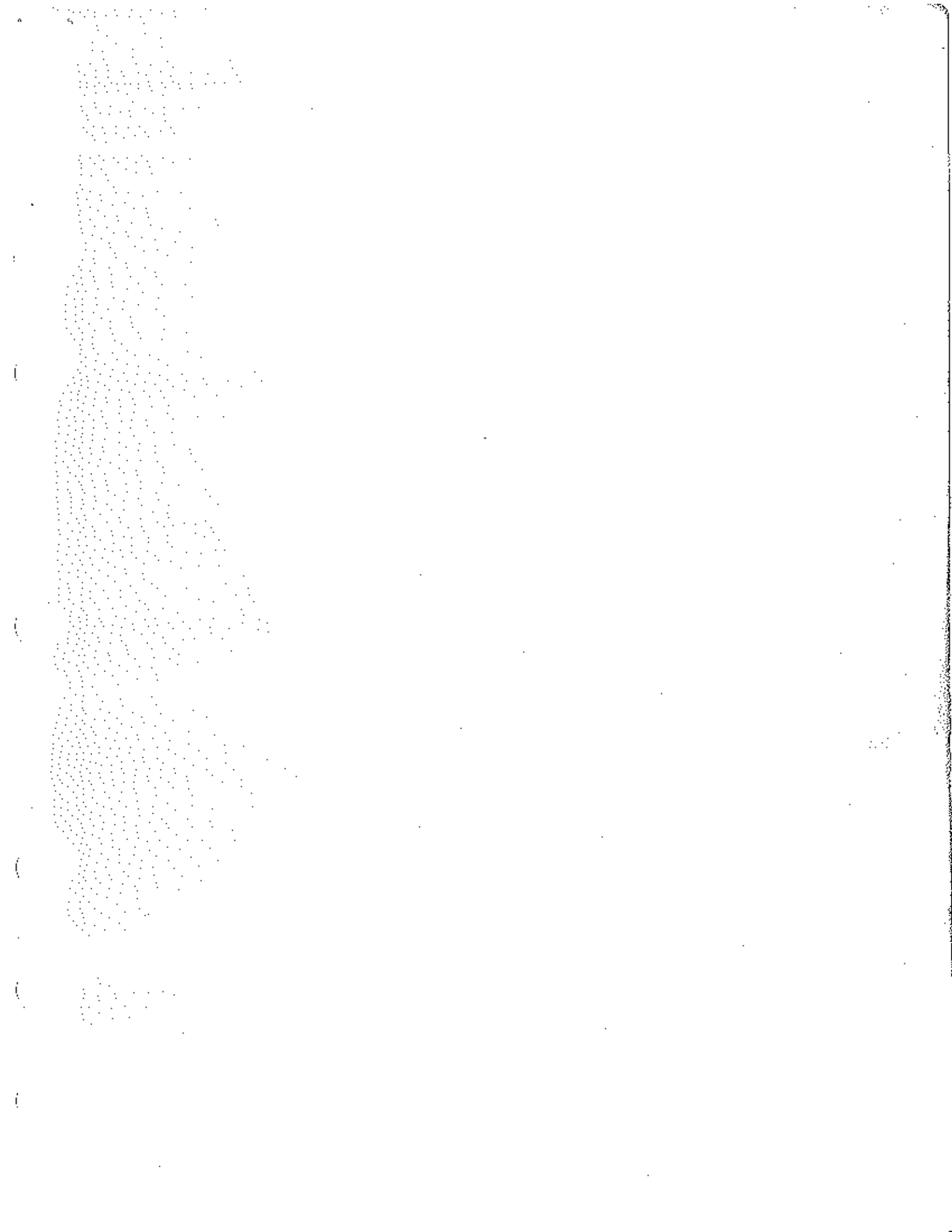


SHROUD & SEAT

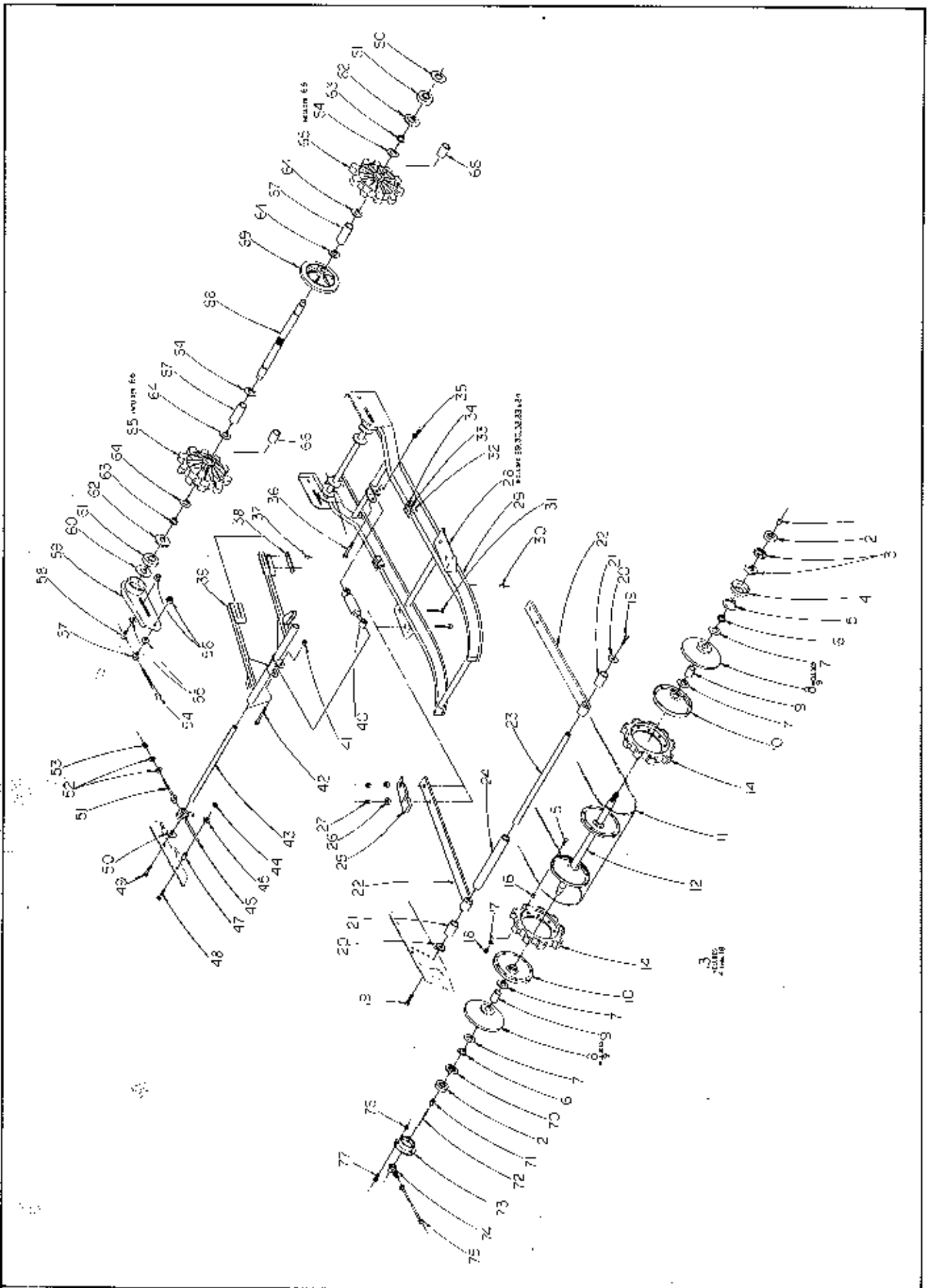
REF. NO.	PART NO.	DESCRIPTION	QUANTITY REQ'D.				
			NIT 295	NIT 340	NIT 400	NIT 440	RAL 40
1	18192	Headlight Bezel	1	1	1	1	1
2	18513	Headlight Adjust. Spring	4	4	4	4	4
3	18779	Clip	8	8	8	8	8
4	GM144232	Wing Nut	4	4	4	4	4
5	18820	Headlight Housing	1	1	1	1	1
6	19069	Headlight Bulb	1	1	1	1	1
7	19197	Socket Assembly	1	1	1	1	1
8	13503	Clip	2	2	2	2	2
9	18948	Spring	2	2	2	2	2
10	15563	Lower Center Shroud	1	1	1	1	
	15568	Lower Center Shroud					1
11	15849	Shoulder Screw	4	4	4	4	4
12	14143	5/16-18 x 1 H.F.W.L. Screw	3	3	3	3	3
13	14035	5/16-18 F.W.L. Nut	3	3	3	3	3
14	18535	Retainer Clip	4	4	4	4	4
15	18776	Expansion Nut	8	8	8	8	8
16	18544	#10 x 5/8 Screw & Washer	8	8	8	8	8
17	18859	Center Shroud Latch	2	2	2	2	2
18	14028	1/4-20 Conclok Nut	4	4	4	4	4
19	15851	Shoulder Screw	4	4	4	4	4
20	14141	5/16-18 x 3/4 H.F.W.L. Screw	2	2	2	2	2
21	19318	Shoulder Washer	2	2	2	2	2
22	14035	5/16-18 F.W.L. Nut	2	2	2	2	2
23	15549	Lower Side Shroud, L.H.	1	1	1	1	1
	15554	Lower Side Shroud, R.H.	1	1	1	1	1
24	19027	"Nitro 295" Decal, R.H.	1				
	19028	"Nitro 295" Decal, L.H.	1				
	19029	"Nitro 340" Decal, R.H.		1			
	19030	"Nitro 340" Decal, L.H.		1			
	19031	"Nitro 400" Decal, R.H.			1		
	19032	"Nitro 400" Decal, L.H.			1		
	19033	"Nitro 440" Decal, R.H.				1	
	19034	"Nitro 440" Decal, L.H.				1	
	30131	"Rally 40" Decal, R.H.					1
	30132	"Rally 40" Decal, L.H.					1
25	17627	Upper Side Shroud, R.H.	1	1	1	1	1
	17628	Upper Side Shroud, L.H.	1	1	1	1	1
26	19120	Side Stripe	2	2	2	2	2
27	14090	1/8 x 1 Cotter Pin	2	2	2	2	2
28	18194	Release Latch, R.H.	1	1	1	1	1
	18195	Release Latch, L.H.	1	1	1	1	1
29	18778	Twin Speed Nut	4	4	4	4	4
30	18125	Forward Latch	2	2	2	2	2
	18126	Rear Latch	2	2	2	2	2
31	GM9420401	#10 x 1/2 Self Tap Screw	8	8	8	8	8
32	18090	Center Shroud Reinforcement	2	2	2	2	2
33	18502	Shoulder Screw	4	4	4	4	4
34	18345	#10-32 x 3/4 T.H.M. Screw	4	4	4	4	4
35	11825	Well Nut	4	4	4	4	4
36	14923	Tool Box	1	1	1	1	
	14922	Tool Box					1
37	19008	Seat	1	1	1	1	
	18805	Seat					1
38	19055	Reflector Reinforcement	2	2	2	2	2
39	19053	Reflector	2	2	2	2	2
40	19136	Tail Light Assembly	1	1	1	1	1

SHROUD & SEAT

REF. NO.	PART NO.	DESCRIPTION	QUANTITY REQ'D.				
			NIT 295	NIT 340	NIT 400	NIT 440	RAL 40
41	19058	Bulb "Tail Light"	1	1	1	1	1
42	19059	Bulb "Stop Light"	1	1	1	1	1
43	19057	Lens	1	1	1	1	1
44	GM169592	#8-32 x 1/2 P.H.M. Screw	2	2	2	2	2
45	14066	#8-32 Hex Nut	2	2	2	2	2
46	19062	Windshield	1	1	1	1	
	19063	Windshield					1
47	19199	Clip	4	4	4	4	4
48	GM163088	#6 x 3/8 Self Tap Screw	4	4	4	4	4
49	18030	Side Light Lens	2	2	2	2	2
50	19286	Speed Clip	4	4	4	4	4
51	12834	Bulb	2	2	2	2	2
52	19096	Socket Assembly	2	2	2	2	2
53	17993	Upper Center Shroud	1	1	1	1	
	17990	Upper Center Shroud					1
54	18479	"Rupp" Name Plate	1	1	1	1	1
55	18196	Shroud Hinge Pin	4	4	4	4	4
56	18188	Shroud Hinge, Front	2	2	2	2	2
	18187	Shroud Hinge, Rear	2	2	2	2	2
57	18778	Twin Speed Nut	4	4	4	4	4
58	GM9420401	#10 x 1/2 Self Tap Screw	8	8	8	8	8
59	14035	5/16-18 F.W.L. Nut	6	6	6	6	6
60	17986	Bumper, R.H.	1	1	1	1	
	17984	Bumper, L.H.	1	1	1	1	
	17985	Bumper, R.H.					1
	17983	Bumper, L.H.					1
61	14000	5/16-18 x 1 H.H.C. Screw	1	1	1	1	1
62	14472	Bumper Spacer	1	1	1	1	1
63	14029	5/16-18 Conclok Nut	1	1	1	1	1
	19676	Fuel Warning Decal (Not Shown)	1	1	1	1	1
64	19083	Scoop Decal, R.H.					1
	19092	Scoop Decal, L.H.					1
65	19094	Decal Scoop Bottom					1



SLIDER SUSPENSION



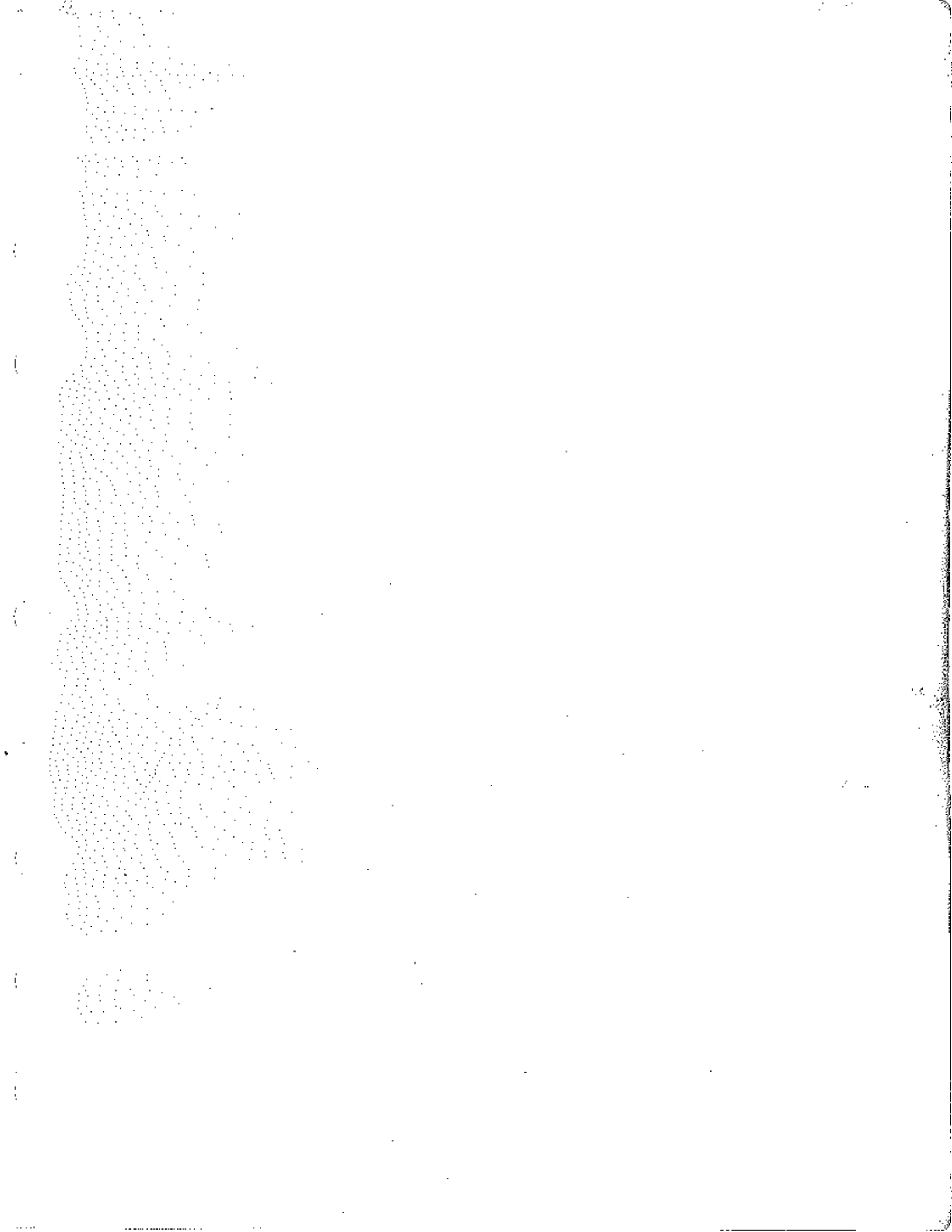
3
210000
210000

SLIDER SUSPENSION

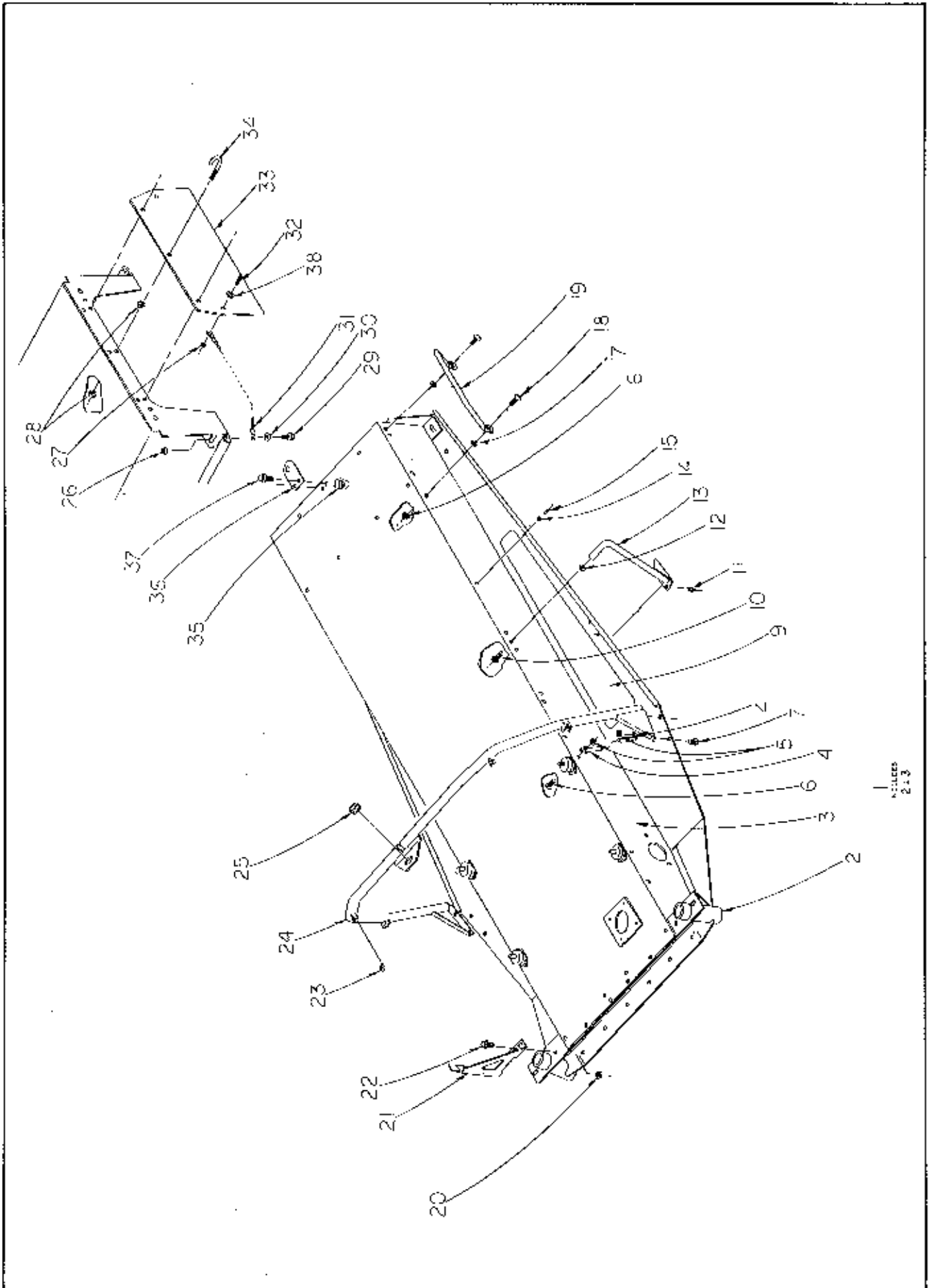
REF. NO.	PART NO.	DESCRIPTION	QUANTITY REQ'D.				
			NIT 295	NIT 340	NIT 400	NIT 440	RAL 40
1	14529	Seal	1	1	1	1	1
2	14237	Bearing	2	2	2	2	2
3	14234	Seal W/Spring	2	2	2	2	2
4	16706	Dirt Shield					1
5	17612	Retaining Ring					1
6	14310	Retaining Ring	2	2	2	2	2
7	14309	Flat Washer	4	4	4	4	4
8	16273	Idler Wheel W/Bushing	2	2	2	2	2
9	14254	Bushing (Idler Wheel)	2	2	2	2	2
10	16234	Sprocket Hub	2	2	2	2	2
11	18989	Drive Track	1	1	1	1	
	19724	Drive Track					1
12	19243	Secondary Shaft	1	1	1	1	
	15662	Secondary Shaft					1
13	16236	Sprocket Replacement Kit	2	2	2	2	2
14	16163	Track Sprocket	2	2	2	2	2
15	14503	1/4-20 x 7/8 H.H.C. Screw	18	18	18	18	18
16	16236	Spacer	18	18	18	18	18
17	14037	Flat Washer	18	18	18	18	18
18	14028	1/4-20 Conelok Nut	18	18	18	18	18
19	14193	3/8-16 x 7/8 H.F.W.L. Screw	2	2	2	2	2
20	11735	Flat Washer	2	2	2	2	2
21	19226	Spacer	2	2	2	2	
	19324	Spacer					2
22	19227	Leaf Spring	2	2	2	2	2
23	19224	Front Axle	1	1	1	1	
	19315	Front Axle					1
24	19225	Spacer	1	1	1	1	
	19325	Spacer					1
25	19595	Shim	2	2	2	2	2
26	19964	Flat Washer	4	4	4	4	4
27	14029	5/16-18 Conelok Nut	4	4	4	4	4
28	19505	Slider Frame Assembly	1	1	1	1	
	19504	Slider Frame Assembly					1
29	19216	Wear Bar	2	2	2	2	2
30	17444	Blind Rivet	24	24	24	24	24
31	GM180081	5/16-18 x 1-1/4 H.F.W.L. Screw	4	4	4	4	4
32	19319	Bumper Retainer	2	2	2	2	2
33	14201	Blind Rivet	4	4	4	4	4
34	19215	Bumper	2	2	2	2	2
35	14058	7/16-20 Conelok Nut	1	1	1	1	1
36	GM181675	7/16-20 x 2-1/4 H.H.C. Screw	1	1	1	1	1
37	16860	Blind Rivet	4	4	4	4	4
38	19218	Wear Plate	2	2	2	2	2
39	19217	Swing Frame	1	1	1	1	
	19314	Swing Frame					1
40	19230	Shock Absorber	1	1	1	1	1
41	14058	7/16-20 Conelok Nut	1	1	1	1	1
42	GM181675	7/16-20 x 2-1/4 H.H.C. Screw	1	1	1	1	1
43	19224	Axle	1	1	1	1	
	19315	Axle					1
44	14031	3/8-16 Conelok Nut	2	2	2	2	2
45	16868	Flat Washer	2	2	2	2	2
46	19228	Spring, L.H.	1	1	1	1	1
	19229	Spring, R.H.	1	1	1	1	1
47	16001	Spacer	2	2	2	2	2

SLIDER SUSPENSION

REF. NO.	PART NO.	DESCRIPTION	QUANTITY REQ'D.				
			NIT 295	NIT 340	NIT 400	NIT 440	RAL 40
48	14194	3/8-16 x 1-1/4 H.H.C.Screw	2	2	2	2	2
49	14193	3/8-16 x 7/8 H.H.C Screw	2	2	2	2	2
50	11735	Flat Washer	2	2	2	2	2
51	19626	Eyo Bolt	2	2	2	2	2
52	14042	Flat Washer	4	4	4	4	4
53	14031	3/8-16 Conclok Nut	2	2	2	2	2
54	19509	5/16-24 x 5-1/2 H.H.C. Screw	2	2	2	2	2
55	16967	Flat Washer	4	4	4	4	4
56	14065	3/8-16 F.W.L. Nut	4	4	4	4	4
57	19597	Adjusting Stud <i>CF4 void</i>	2	2	2	2	2
58	19596	Adjusting Nut	2	2	2	2	2
59	19214	Bearing Bracket	2	2	2	2	2
60	19969	Flat Washer	2	2	2	2	2
61	12539	Bearing	2	2	2	2	2
62	13354	Seal	2	2	2	2	2
63	13349	Retaining Ring	2	2	2	2	2
64	14442	Flat Washer	6	6	6	6	6
65	16255	Rear Sprocket W/Bushing	2	2	2	2	2
66	16254	Bushing	2	2	2	2	2
67	19237	Spacer	2	2	2	2	
	19238	Spacer					1
68	19279	Rear Suspension Shaft	1	1	1	1	
	19280	Rear Suspension Shaft					1
69	16415	Idler Wheel	1	1	1	1	1
70	14236	Seal	1	1	1	1	1
71	14435	Speedometer Plug	1	1	1	1	1
72	18996	Speedometer Coupling	1	1	1	1	
73	16142	Bearing Housing	1	1	1	1	1
74	18995	Speedometer Gear Reducer	1	1	1	1	
75	18994	Speedometer Cable Assembly	1	1	1	1	
76	14035	5/16-18 F.W.L. Nut	3	3	3	3	3
77	14141	5/16-18 x 3/4 H.F.W.L. Screw	3	3	3	3	3



CHASSIS

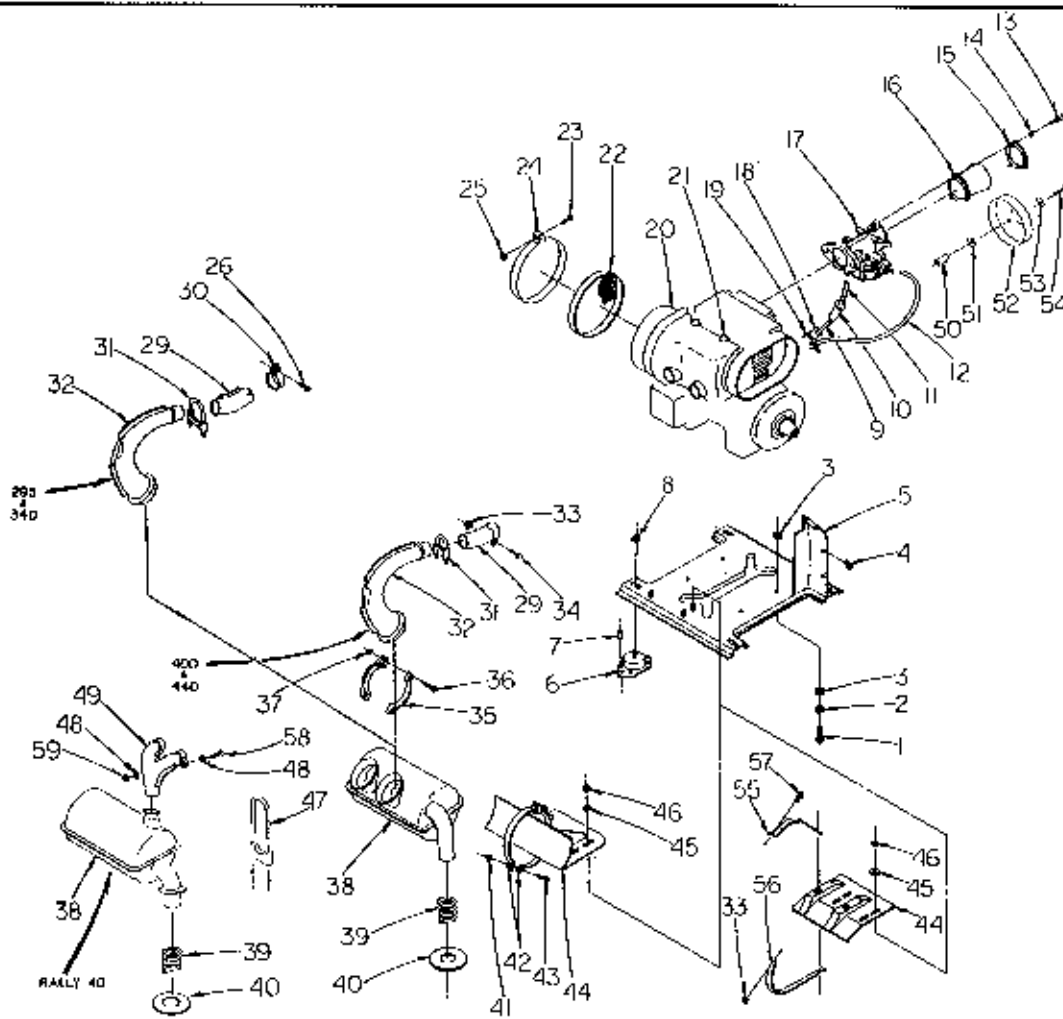


REVISED
2-73

CHASSIS

REF. NO.	PART NO.	DESCRIPTION	QUANTITY REQ'D.				
			NIT 295	NIT 340	NIT 400	NIT 440	RAL 40
1	18891 18892	Main Frame Assembly Main Frame Assembly	1	1	1	1	1
2	18889 18890	Axle Frame Only Axle Frame Only	1	1	1	1	1
3	18846 18845	Main Frame Only Main Frame Only	1	1	1	1	1
4	14697	Strut	2	2	2	2	2
5	14035	5/16-18 F.W.L. Nut	4	4	4	4	4
6	14312	5/16-18 x 3/4 Carriage Bolt	2	2	2	2	2
7	14141	5/16-18 x 3/4 H.F.W.L. Screw	2	2	2	2	2
9	14356 14357	Grip Strip, R.H. Grip Strip, L.H.	1	1	1	1	1
10	14354	3/8-24 x 1/2 H.F.W.L. Screw	2	2	2	2	2
11	14201	Blind Rivet	4	4	4	4	4
12	14041	Flat Washer	2	2	2	2	2
13	13311 13312	Stirrup, R.H. Stirrup, L.H.	1	1	1	1	1
14	10016	Upholstery Snap	22	22	22	22	22
15	14139	Blind Rivet	22	22	22	22	22
16	14035	5/16-18 F.W.L. Nut	4	4	4	4	4
17	18500	Spacer	4	4	4	4	4
18	GM455999	5/16-18 x 5/8 Carriage Bolt	4	4	4	4	4
19	15680	Passenger Grip	2	2	2	2	2
20	14035	5/16-18 F.W.L. Nut	4	4	4	4	4
21	18614 18613	Bumper Bracket, L.H. Bumper Bracket, R.H.	1	1	1	1	1
22	14012	5/16-18 x 5/8 H.F.W.L. Screw	4	4	4	4	4
23	18787	Grip Nut	2	2	2	2	2
24	18145 18414	Support Hoop Support Hoop	1	1	1	1	1
25	16191	Upper Steering Support	1	1	1	1	1
26	14065	3/8-16 F.W.L. Nut	2	2	2	2	
27	14028	1/4-20 Conelok Nut	2	2	2	2	
28	14067	#10-24 Conelok Nut	6	6	6	6	
29	14190	3/8-16 x 5/8 H.F.W.L. Screw	2	2	2	2	
30	14041	Flat Washer	2	2	2	2	
31	19122	Retainer	2	2	2	2	
32	14013	1/4-20 x 1/2 P.H.M. Screw	2	2	2	2	
33	19065	Snow Flap	1	1	1	1	
34	15673	Hook	3	3	3	3	
35	14035	5/16-18 F.W.L. Nut					2
36	13316	Tow Bar					1
37	14141	5/16-18 x 3/4 H.F.W.L. Screw					2
38	12117	Flat Washer	2	2	2	2	

ENGINE, EXHAUST & CARBURETOR

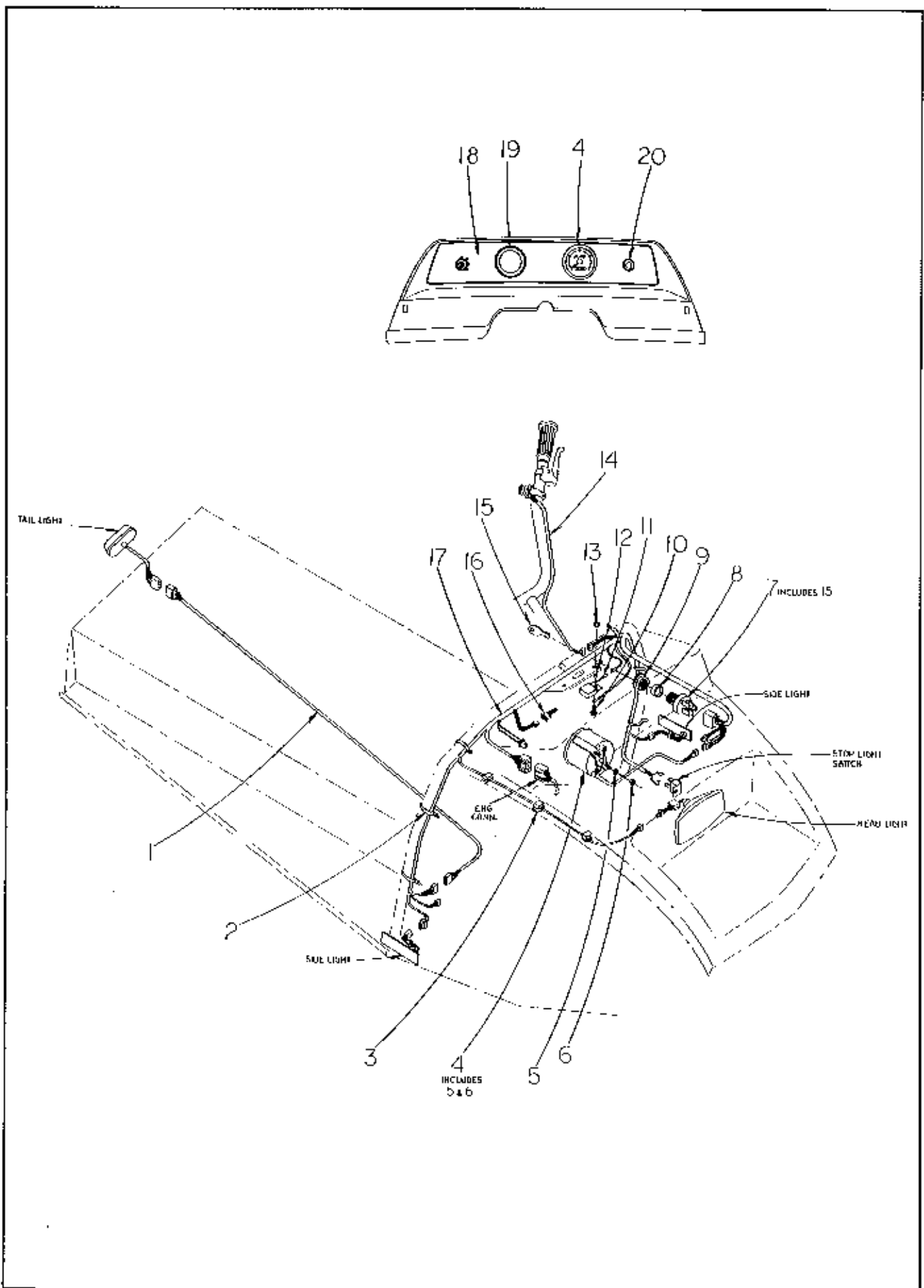


REF. NO.	PART NO.	DESCRIPTION	QUANTITY REQ'D.				
			NIT 295	NIT 340	NIT 400	NIT 440	RAL 40
1	14705	7/16-14 x 1-1/4 H.H.C.S.	4	4	4	4	4
2	14076	7/16 Lock Washer	4	4	4	4	4
3	15969	Flat Washer	8	8	8	8	8
4	18787	Grip Nut	3	3	3	3	3
5	19875 30138	Engine Mount Engine Mount	1	1	1	1	1
6	18913	Engine Mount	4	4	4	4	4
7	17303	Blind Rivet	24	24	24	24	24
8	GM9414505	1/2-20 F.W.L.N.	4	4	4	4	4
9	16150 16150	Fuel Line 50" Fuel Line 52"	1	1		1	1
10	19127	Fuel Filter	1	1	1	1	1
11	16150	Fuel Line 6"	1	1	1	1	1
12	16150 16150	Fuel Line (Return) 58" Fuel Line (Return) 80"	1	1		1	1
13	15015	1/4-20 x 3/4 F.H.M.S.	3		3	3	
14	14044	1/4 Split Lock Washer	3		3	3	
15	19309	Retainer	1				
16	19308 19101	Velocity Stack Velocity Stack	1			1	1
17	19114 19115	Carburetor (Keihin T295S) Carburetor (Keihin T340S)	1	1			

ENGINE, EXHAUST & CARBURETOR

REF. NO.	PART NO.	DESCRIPTION	QUANTITY REQ'D.				
			NIT 295	NIT 340	NIT 400	NIT 440	RAL 40
	19116	Carburetor (Keihin T400S)			1		
	19117	Carburetor (Keihin T440S)				1	
	19004	Carburetor (Keihin T440)					1
18	15074	Fuel Line Insulation 15"	1	1	1	1	1
19	16453	Cable Strap	2	2	2	2	2
20	18918	Engine (Rupp TR295S)	1				
	18919	Engine (Rupp TR340S)		1			
	18921	Engine (Rupp TR400S-2)			1		
	18920	Engine (Rupp TR440S-2)				1	
	18520	Engine (Rupp TR440-2)					1
21	15630	Spark Plug (Champion)	2	2	2	2	2
	15627	Spark Plug (NGK)	Opt.	Opt.	Opt.	Opt.	Opt.
22	16856	Fan Guard					1
23	13994	1/4-28 x 1-1/4 H.H.C. Screw	1	1	1	1	1
24	18930	Clamp	1	1			
	19497	Clamp			1	1	1
	19050	Clamp					1
25	14027	1/4-28 Conelok Nut	1	1	1	1	1
26	14173	5/16-24 x 1 H.H.C. Screw	2	2			
29	20454	Exhaust Pipe	2	2			
	20453	Exhaust Pipe			2	2	
30	20455	Clamp	2	2			
31	18731	U-Bolt Assembly	2	2	2	2	
32	20451	Diffuser Pipe	2	2	2	2	
33	14027	1/4-28 Conelok Nut			2	2	2
34	14167	1/4-28 x 3/4 H.H.C. Screw			2	2	
35	20452	Diffuser Clamp	4	4	4	4	
36	14173	5/16-24 x 1 H.H.C. Screw	4	4	4	4	
37	14055	5/16-24 Conelok Nut	4	4	4	4	
38	20449	Muffler	1	1	1	1	
	18735	Muffler					1
39	16301	Spring	1	1	1	1	1
40	19583	Exhaust Hole Cap	1	1	1	1	1
	18806	Exhaust Hole Cap					1
41	14055	5/16-24 Conelok Nut	4	4	4	4	
42	16467	Muffler Strap	4	4	4	4	
43	14173	5/16-24 x 1 H.H.C. Screw	4	4	4	4	
44	20450	Muffler Bracket	1	1	1	1	
	18733	Muffler Bracket					1
45	14040	Flat Washer					4
46	14029	5/16-18 Conelok Nut					4
	14035	5/16-18 F.W.L. Nut	4	4	4	4	
47	18749	U-Bolt Assy.					1
48	14080	Flat Washer					4
49	18754	Exhaust Manifold					1
50	16454	Spacer					3
51	GM9418904	Flat Washer					3
52	16451	Baffle Cover					1
53	14037	Flat Washer					3
54	16455	1/4-20 x 2 P.H.M. Screw					3
55	18758	Muffler Strap					2
56	18984	Muffler Strap					2
57	GM9415862	H.H.C.S. 1/4-28 x 1-1/4					2
58	GM9415817	H.H.C.S. 1/4-28 x 3/4					2
59	14027	1/4-28 Conelok Nut					2
	19674	Spark Plug Wrench (Not Shown)	1	1	1	1	1

ELECTRICAL

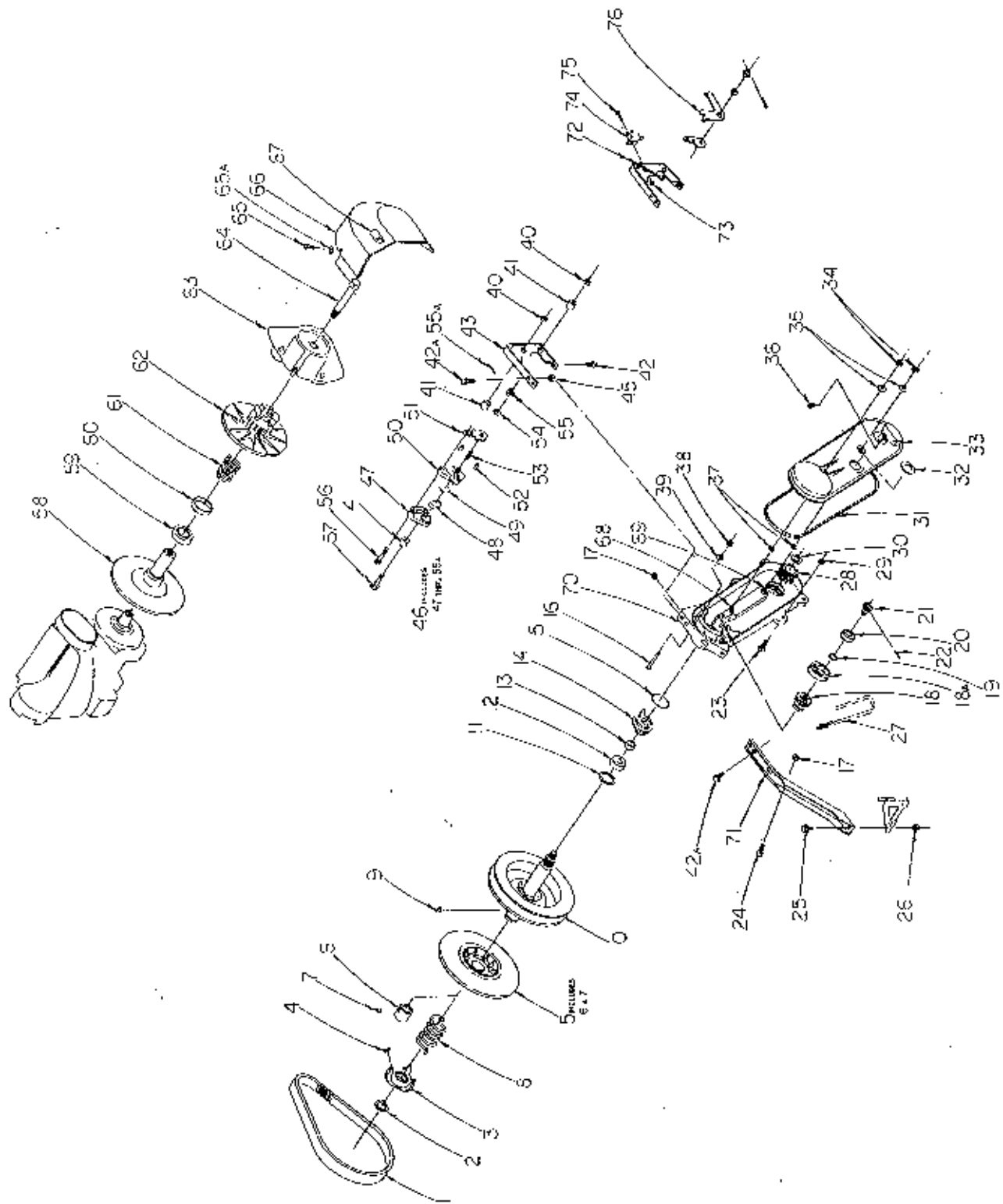


ELECTRICAL

REF. NO.	PART NO.	DESCRIPTION	QUANTITY REQ'D.				
			NIT 295	NIT 340	NIT 400	NIT 440	RAL 40
1	19198	Tail Light Harness	1	1	1	1	1
2	10934	Cable Retainer	7	7	7	7	7
3	16497	Cable Clip	4	4	4	4	4
3A	16496	Cable Clip	2	2	2	2	2
4	18983	Speedometer	1	1	1	1	
5	15166	M-5 Hex Nut	2	2	2	2	
6	14043	#10 Split Lock Washer	2	2	2	2	
7	19479	Ignition Switch	1	1	1	1	1
8	19514	Spacer	1	1	1	1	1
9	19537	Ignition Switch Nut	1	1	1	1	1
10	14198	#10-24 x 3/4 P.H.M. Screw	1	1	1	1	1
11	19168	Regulator	1	1	1	1	1
12	19317	Spacer	1	1	1	1	1
13	GM9411807	#10-24 F.W.L. Nut	1	1	1	1	1
14	19047	Kill Switch	1	1	1	1	
15	19483*	Ignition Key (A)					
	19484*	Ignition Key (B)					
	19485*	Ignition Key (C)					
	19486*	Ignition Key (D)					
	19487*	Ignition Key (E)					
16	19113	Rectifier Jumper	1	1	1	1	1
17	19112	Main Wiring Harness	1	1	1	1	1
18	18514	Dash Decal	1	1	1	1	1
19	18901	Plug (Tach or Speedometer)	1	1	1	1	2
20	18915	Plug (Lighter)	1	1	1	1	1

*When ordering replacement ignition keys look at the back of the ignition switch for the code letter (A, B, C, D or E) and order accordingly.

TORQUE CONVERTER & BRAKE

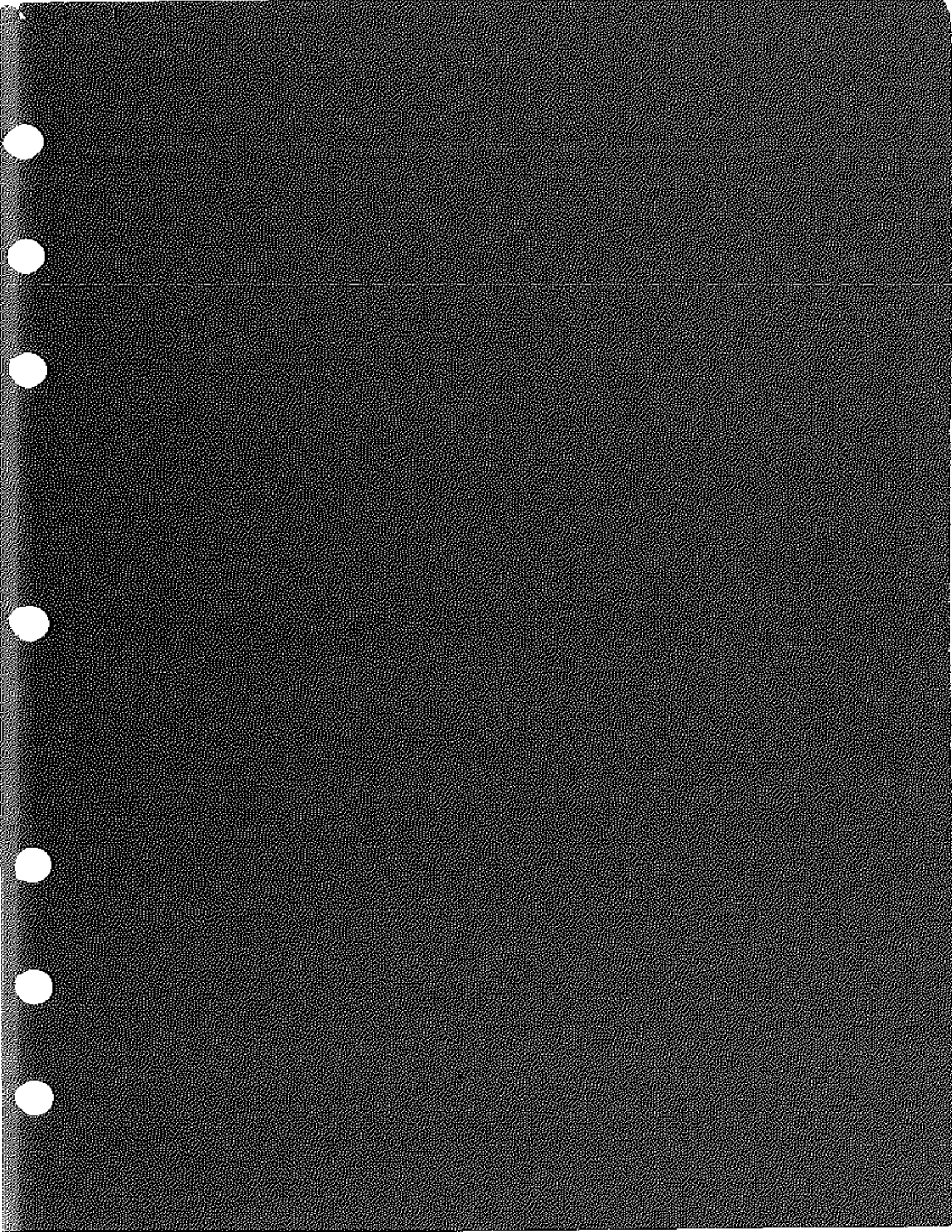


TORQUE CONVERTOR & BRAKE

REF. NO.	PART NO.	DESCRIPTION	QUANTITY REQ'D.				
			NIT 295	NIT 340	NIT 400	NIT 440	RAL 40
1	12754	Torque Convertor Belt	1	1	1	1	1
2	13349	Retaining Ring	1	1	1	1	1
3	12555	Fixed Actuating Hub	1	1	1	1	1
4	12556	Wear Block	3	3	3	3	3
5	18868	Movable Driven Flange	1	1	1	1	1
6	12557	Bushing	1	1	1	1	1
7	12790	Roll Pin	1	1	1	1	1
8	12558	Driven Torque Convertor Spring	1	1	1	1	1
9	12729	Woodruff Key	1	1	1	1	1
10	19839	Fixed Driven Flange	1	1	1	1	1
11	19257	Retaining Ring	1	1	1	1	1
12	12539	Bearing	1	1	1	1	1
13	18703	Spacer	1	1	1	1	1
14	19259	Bearing Barrel	1	1	1	1	1
15	18701	O-Ring	1	1	1	1	1
16	19271	T-Bolt	3	3	3	3	3
17	14029	5/16-18 Conelok Nut	2	2	2	2	2
18	12806	Primary Sprocket 13T	1	1			
	12836	Primary Sprocket 14T			1	1	1
	14702	Primary Sprocket 16T	Opt.	Opt.	Opt.	Opt.	Opt.
	12667	Primary Sprocket 12T	Opt.	Opt.	Opt.	Opt.	Opt.
	14701	Primary Sprocket 15T	Opt.	Opt.	Opt.	Opt.	Opt.
	14703	Primary Sprocket 17T	Opt.	Opt.	Opt.	Opt.	Opt.
	14704	Primary Sprocket 18T	Opt.	Opt.	Opt.	Opt.	Opt.
18A	19260	Bearing Barrel Cap	1	1	1	1	1
19	19258	Retaining Ring	1	1	1	1	1
20	18702	Bearing	1	1	1	1	1
21	19773	Sleeve 9/16-18 Thd.	1	1	1	1	1
	19269	Sleeve 5/8-16 Thd.					
22	GM190777	3/32 x 1-3/4 Cotter Pin	1	1	1	1	1
23	14238	3/8-16 x 1-3/8 Carriage Bolt	4	4	4	4	4
24	13997	5/16-18 x 3/4 H.H.C. Screw	1	1	1	1	1
25	14012	5/16-18 x 5/8 H.F.W.L. Screw	1	1	1	1	1
26	14035	5/16-18 F.W.L. Nut	1	1	1	1	1
27	12671	Chain 35-2 82 Pitch	1	1	1	1	1
	14677	Chain 35-2 84 Pitch	Opt.	Opt.	Opt.	Opt.	Opt.
	18963	Chain 35-2 86 Pitch	Opt.	Opt.	Opt.	Opt.	Opt.
28	13983	Secondary Sprocket 28T	1	1	1	1	1
	18962	Secondary Sprocket 32 T (Opt.)	Opt.	Opt.	Opt.	Opt.	Opt.
29	14031	3/8-16 Conelok Nut	4	4	4	4	4
30	14217	Retaining Ring	1	1	1	1	1
31	18649	Seal	1	1	1	1	1
32	14492	Plug	1	1	1	1	1
33	18639	Chain Case Cover	1	1	1	1	1
34	14029	5/16-18 Conelok Nut	2	2	2	2	2
35	14039	Flat Washer	2	2	2	2	2
36	14490	Oil Plug	1	1	1	1	1
37	14491	O-Ring	2	2	2	2	2
38	14029	5/16-18 Conelok Nut	3	3	3	3	3
39	19270	Clamp	3	3	3	3	3
40	14030	3/8-24 Conelok Nut	2	2	2	2	2
41	16001	Spacer	3	3	3	3	3
42	13997	5/16-18 x 3/4 H.H.C. Screw	1	1	1	1	1
42A	14000	5/16-18 x 1 H.H.C. Screw	2	2	2	2	2
43	18707	Brake Mounting Bracket	1	1	1	1	1

TORQUE CONVERTOR & BRAKE

REF. NO.	PART NO.	DESCRIPTION	QUANTITY REQ'D.				
			NIT 295	NIT 340	NIT 400	NIT 440	RAL 40
45	14029	5/16-18 Conelok Nut	2	2	2	2	2
46	18706	Caliper Brake Assembly	1	1	1	1	1
47	16004	Brake Anvil	1	1	1	1	1
48	16005	Brake Pucks (Pair)	1	1	1	1	1
49	16006	Back Up Washer	1	1	1	1	1
50	16003	Brake Housing	1	1	1	1	1
51	18705	Actuating Arm, 30°	1	1	1	1	1
52	13728	Push Pins	2	2	2	2	2
53	13798	Spring	1	1	1	1	1
54	14039	Flat Washer	1	1	1	1	1
55	13797	5/16-24 Castle Nut	1	1	1	1	1
55A	14086	3/32 x 3/4 Cotter Pin	1	1	1	1	1
56	14147	3/8-24 x 2-3/4 H.H.C. Screw	1	1	1	1	1
57	16876	3/8-24 x 3-1/4 H.H.C.Screw	1	1	1	1	1
58	15794	Fixed Drive Flange	1	1	1	1	1
59	14489	Bushing	1	1	1	1	1
60	18922	Spring Retainer	1	1	1	1	1
61	19818	Drive Torque Converter Spring	1	1			
	15145	Drive Torque Converter Spring					1
	16318	Drive Torque Converter Spring			1	1	1
62	18900	Movable Drive Flange	1	1	1	1	1
63	15956	Drive Torque Converter Cover	1	1			
	17812	Drive Torque Converter Cover			1	1	
	15957	Drive Torque Converter Cover					1
64	19941	Drive Torque Converter Bolt	1	1	1	1	1
65	18941	1/4-28 x 1/2 H.F.W.L. Screw	3	3	3	3	3
65A	14037	Washer	3	3	3	3	3
66	19495	Torque Converter Guard	1	1			
	19498	Torque Converter Guard			1	1	1
67	12798	Caution Decal	1	1	1	1	1
68	19283	Chain Case Bolt, Upper	1	1	1	1	1
69	19282	Chain Case Bolt, Lower	1	1	1	1	1
70	19266	Chain Case	1	1	1	1	1
71	18648	Chain Case Brace	1	1	1	1	1
72	18946	Brake Cable	1	1	1	1	1
73	14206	#10-24 Conelok Nut	1	1	1	1	1
74	19506	Brake Light Switch	1	1	1	1	1
75	14798	#10-24 x 1/2 P.H.M.Screw	1	1	1	1	1
76	19645	Stop Light Switch Lever	1	1	1	1	1
	15053	Chain Case Oil (8 oz.) (Not Shown)	1	1	1	1	1
	15012	Torque Converter Alignment Tool (Not Shown)	1	1	1	1	1



Live
it
Rupp



RUPP INDUSTRIES, INC. / AIRPORT ROAD / MANSFIELD, OHIO 44903